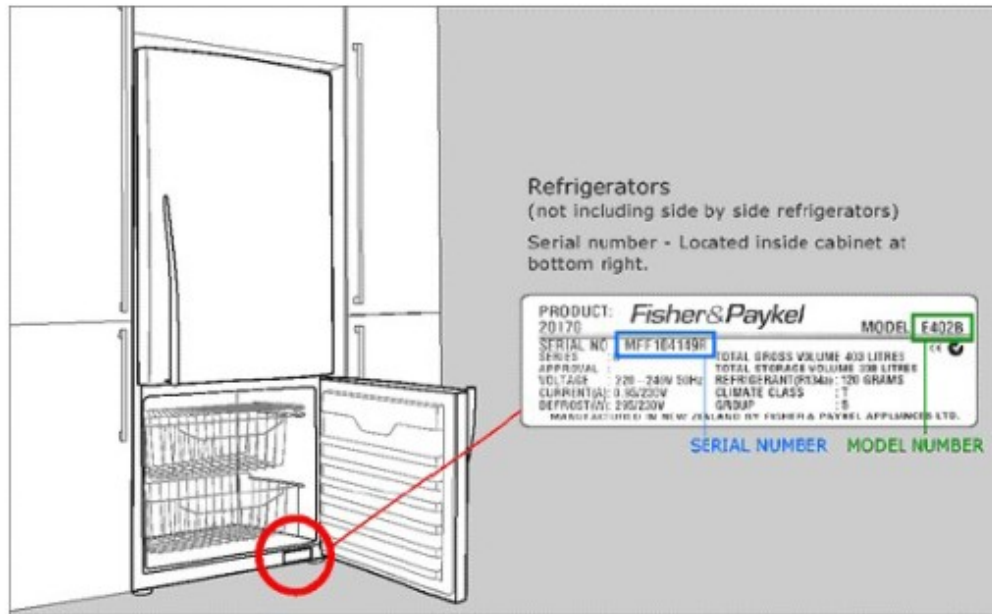


# How to Find Your Serial/Model Number

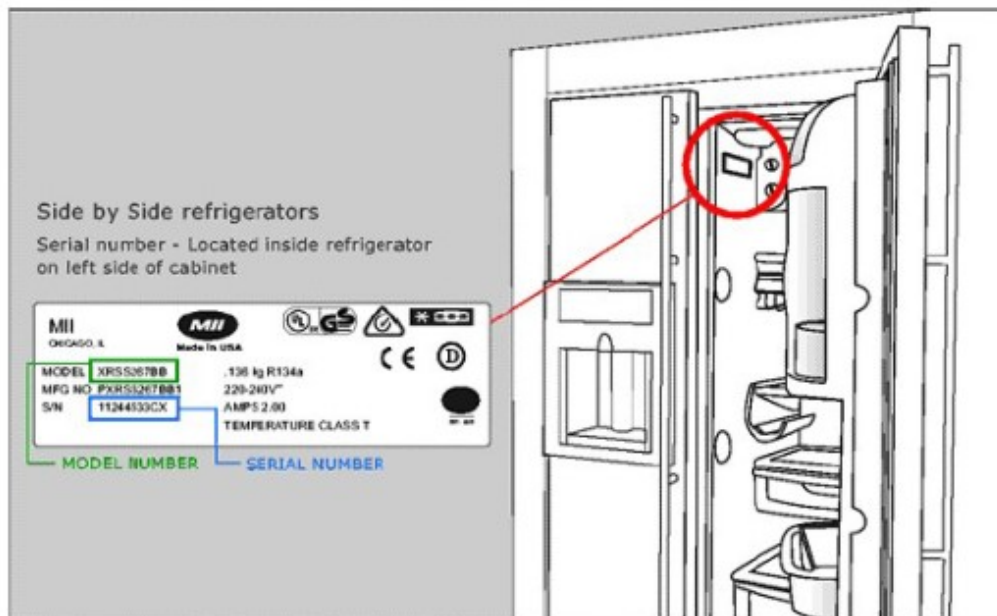
## 1. Refrigerators & Freezers:

### Non Side-By-Side Refrigerator



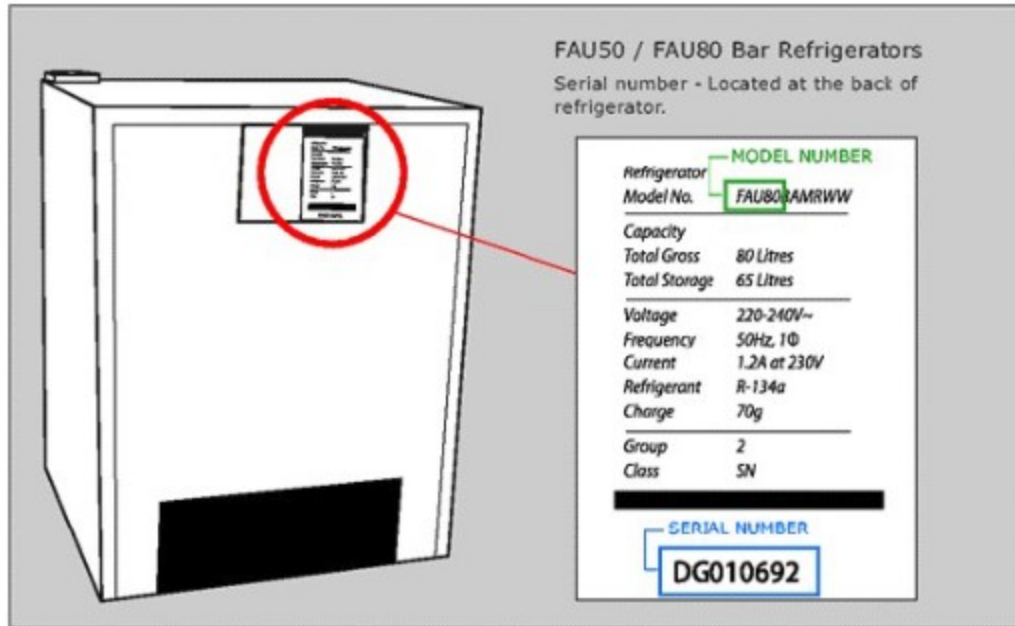
Located on the kick panel inside the lower door.

### Side-By-Side Refrigerator



Located on the inside of the right hand side cabinet, top left.

# Bar Refrigerator



Located at the back of the appliance towards the top.

# French door Refrigerator



Located on the bottom right hand of the cabinet, hidden by the freezer drawer when shut.

## Vertical Refrigerator



Serial label - located inside cabinet at bottom right.

# RF605 & RF523 Quad Refrigerators



Serial Label is located on the back of the product



Other Details e.g Product Code, Model Number etc located on the toe kick at the bottom, front of the product



## Chest Freezer



Located on the back of the appliance on the upper right hand side.

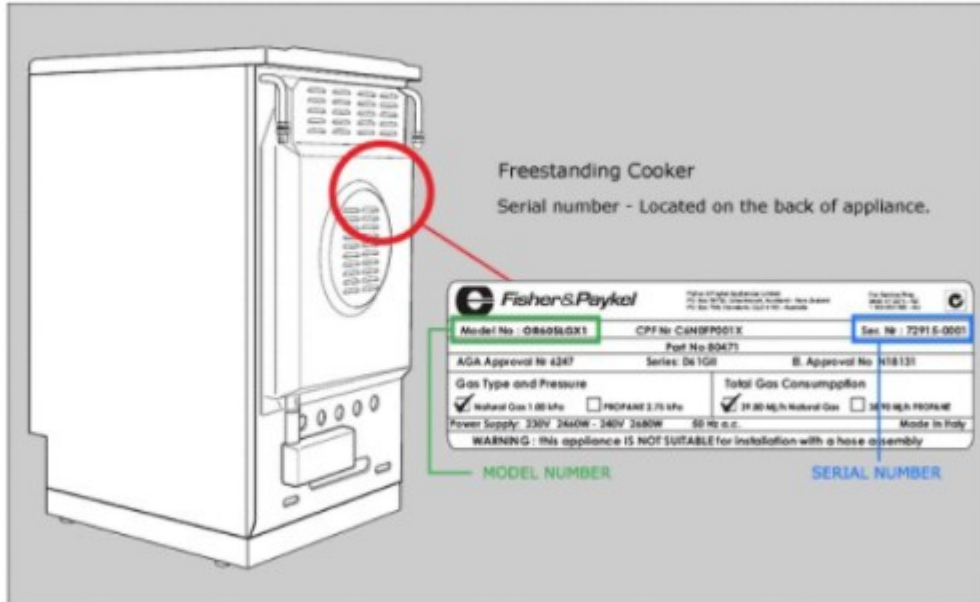
## Vertical Freezer



Serial label - located inside cabinet at bottom right.

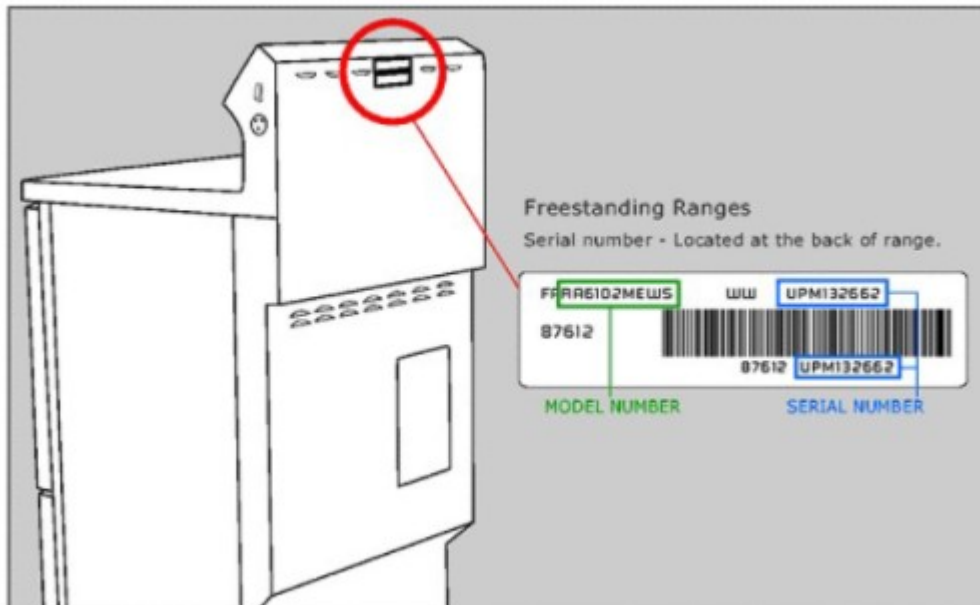
## 2.Ovens/Ranges/Warming Drawer

### Freestanding Cooker



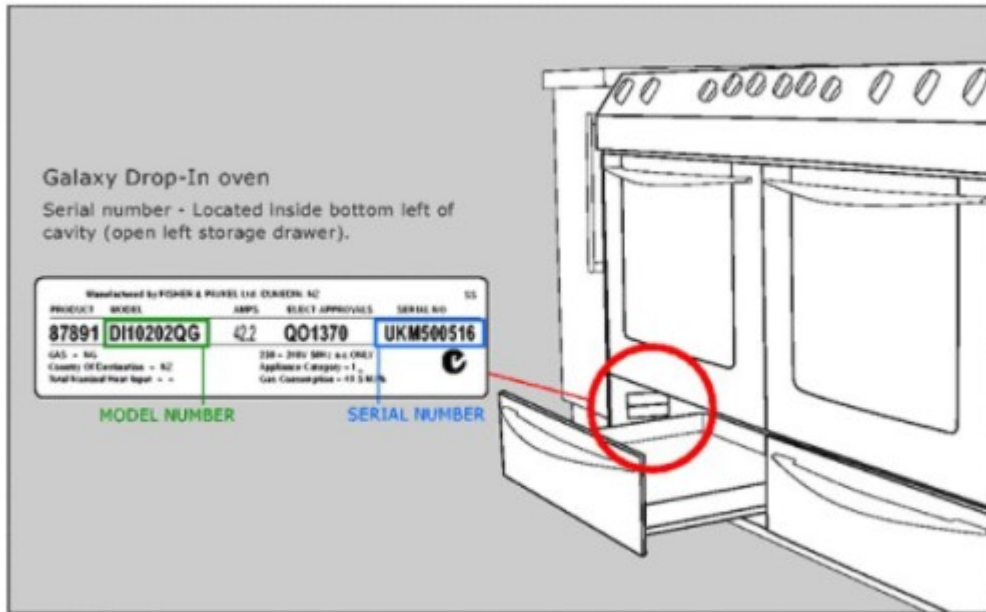
Located on the back of the appliance.

### Freestanding Range



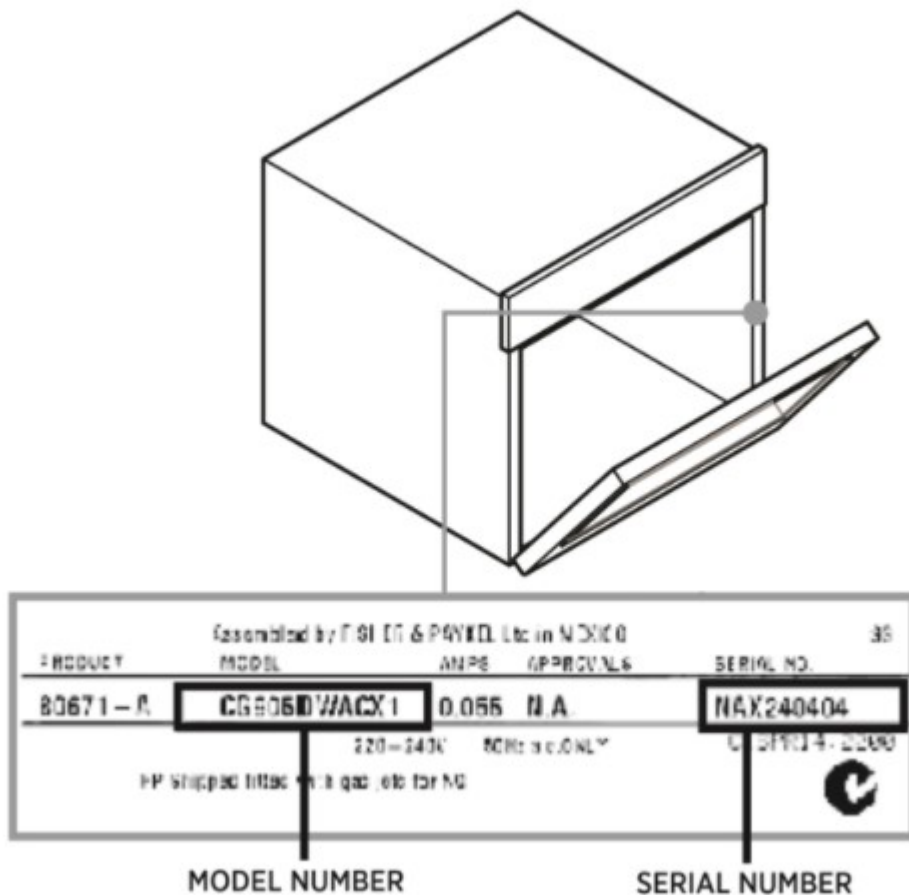
Located on the back of the appliance, towards the top.

## Galaxy Drop-In Range



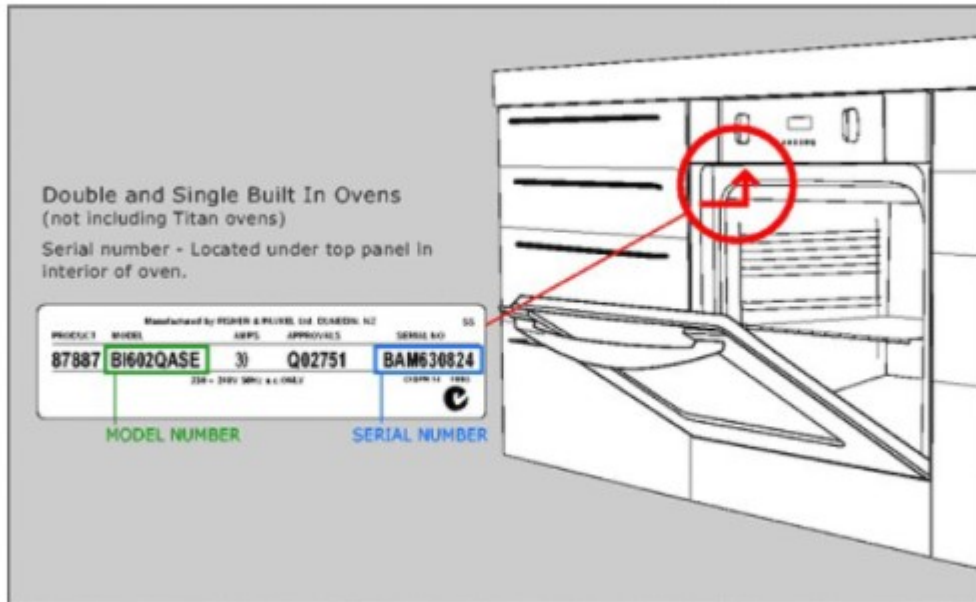
Located inside the drawer on the bottom left hand side.

## Single/Double Built in Oven (OB60 models only)



Located inside the top oven panel behind the cavity.

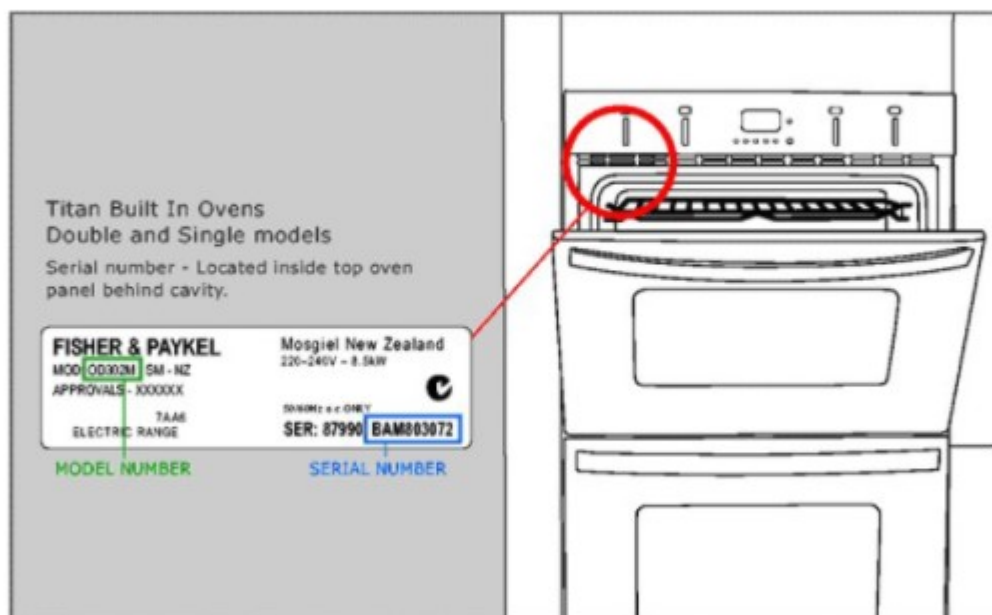
## Wall Oven



Located on the edge of the oven liner inside the door.

Depending on the model, it could either be on the right, top, bottom or left hand side of the cavity.

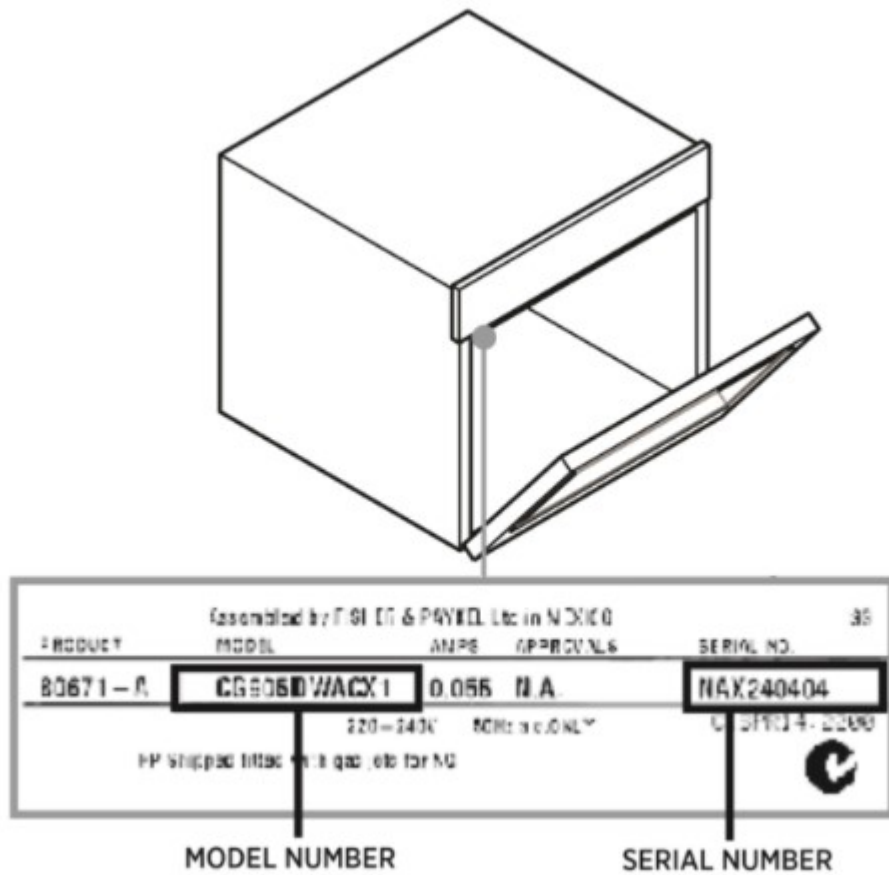
## Titan Oven



Located on the frame inside the door on the top left hand side.

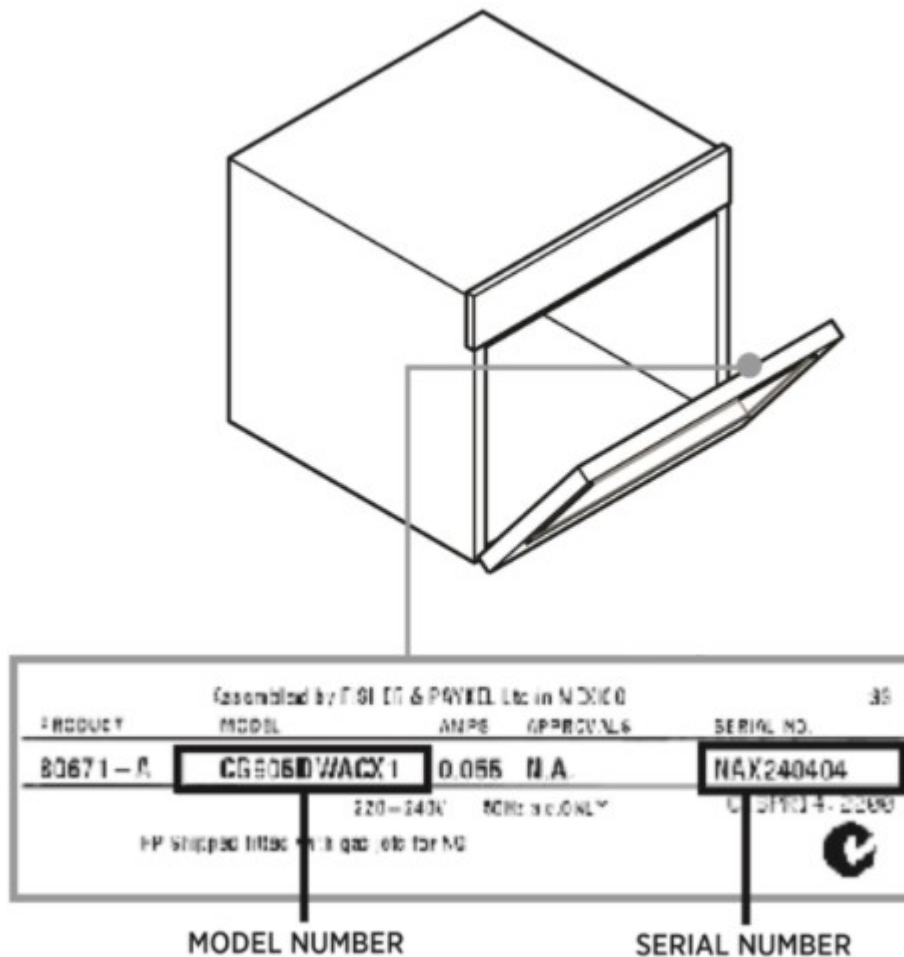


## Steam Oven (OS60 models only)



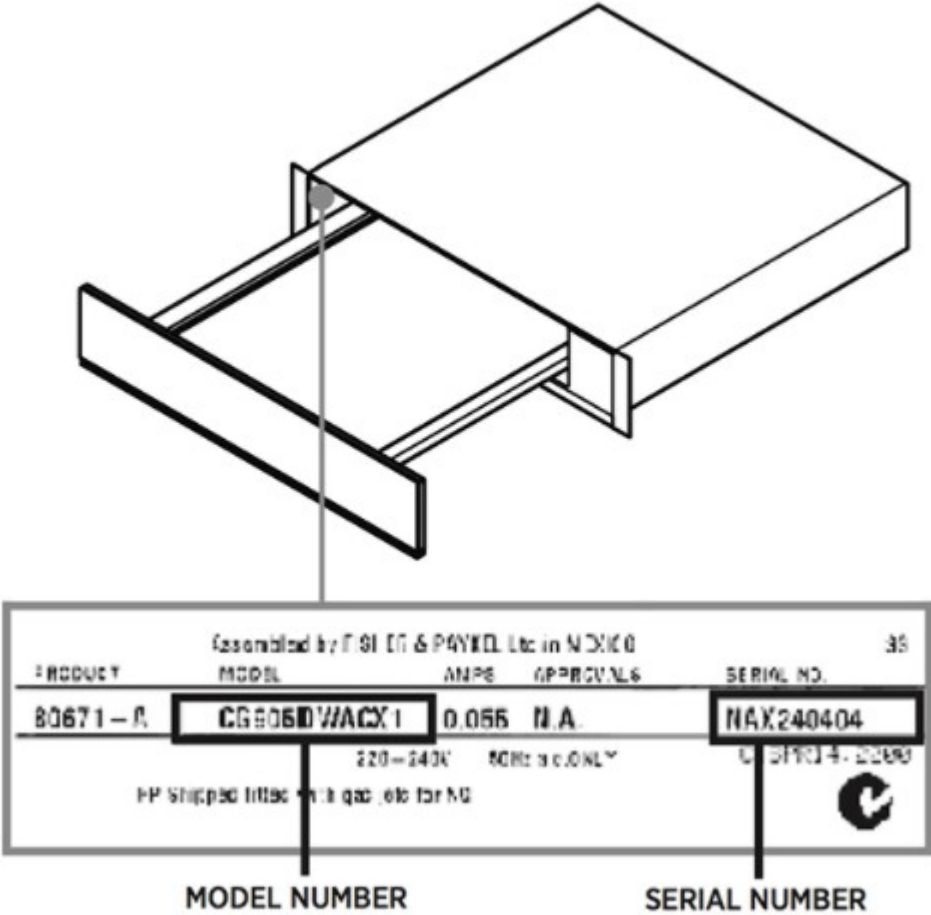
Located inside the top oven panel behind the cavity.

## Compact Oven (OB60N8 models only)



Located on right hand inside of the door frame.

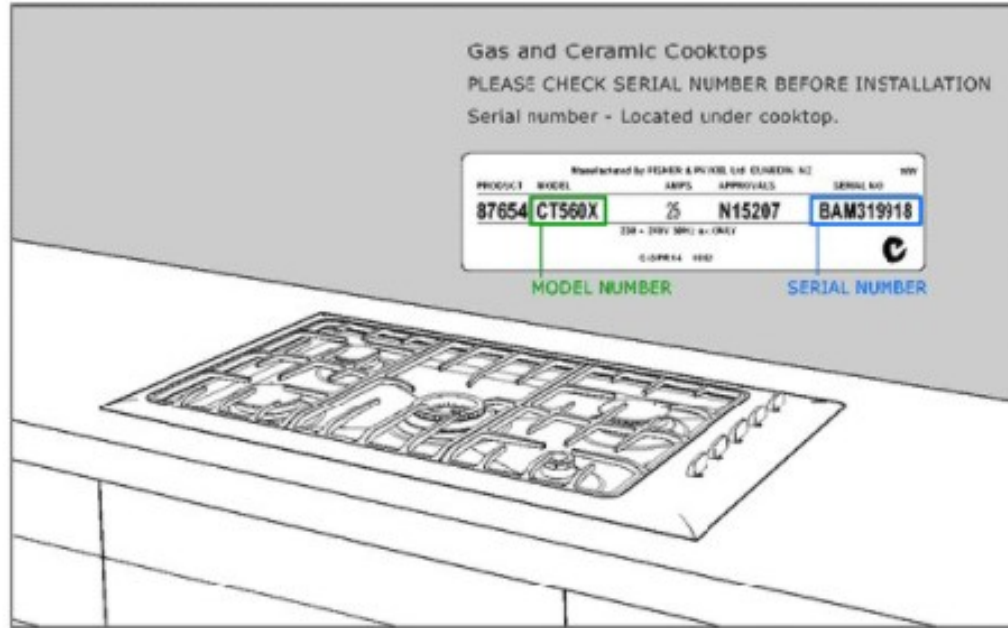
# Warming Drawer (WB60 models only)



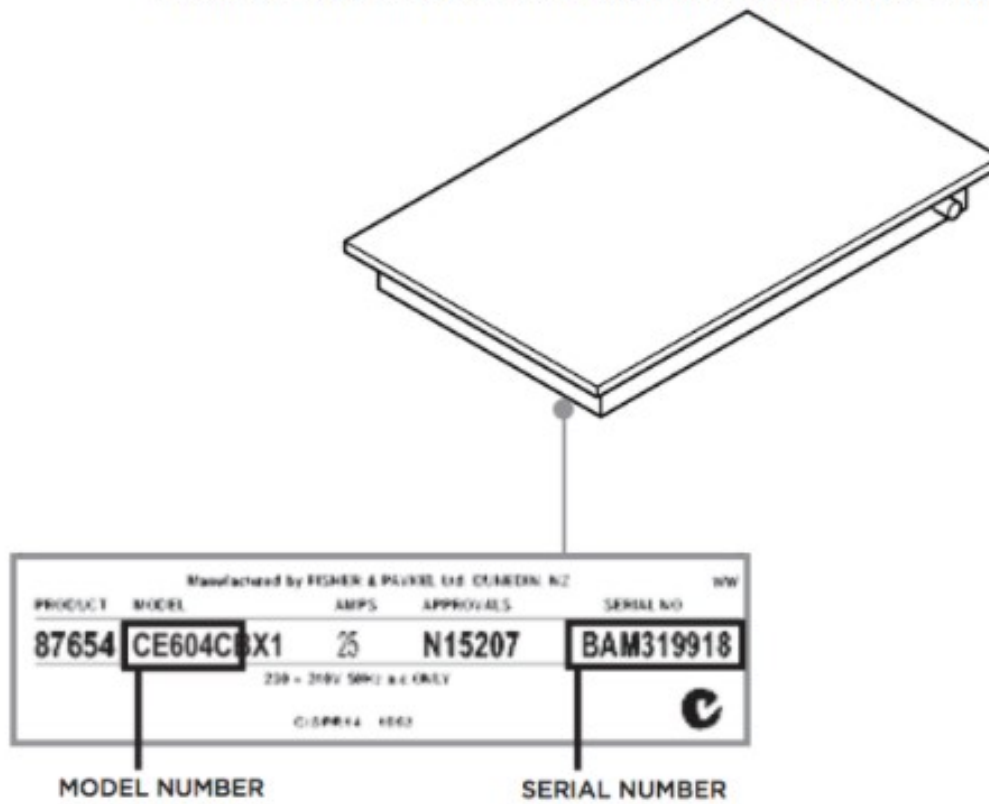
Serial label located on the left hand wall inside the warming drawer

### 3. Cooktops/Grills:

#### Cooktop

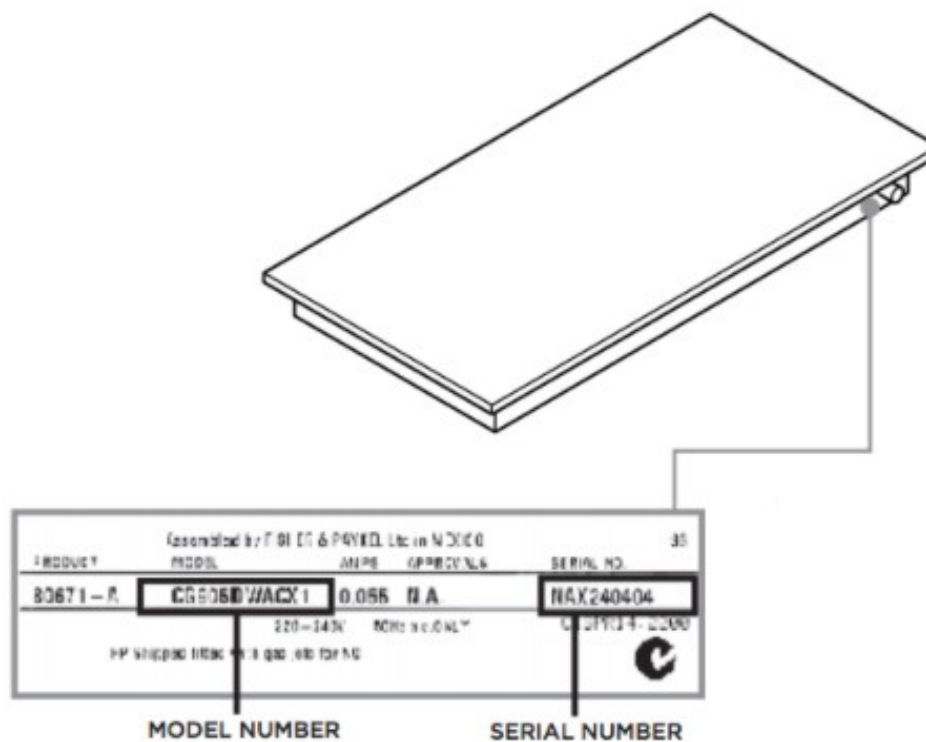


Located on the base pan of the appliance which sits below the bench.



If the appliance is installed where the serial number cannot be located, it will usually be at the back of the customer's user manual.

#### Cooksurface



Serial label located on the underside of the cooktop near the gas entry point on the left. There is also a label on the front left of the chassis which might be visible in some installations.

## Outdoor Grills

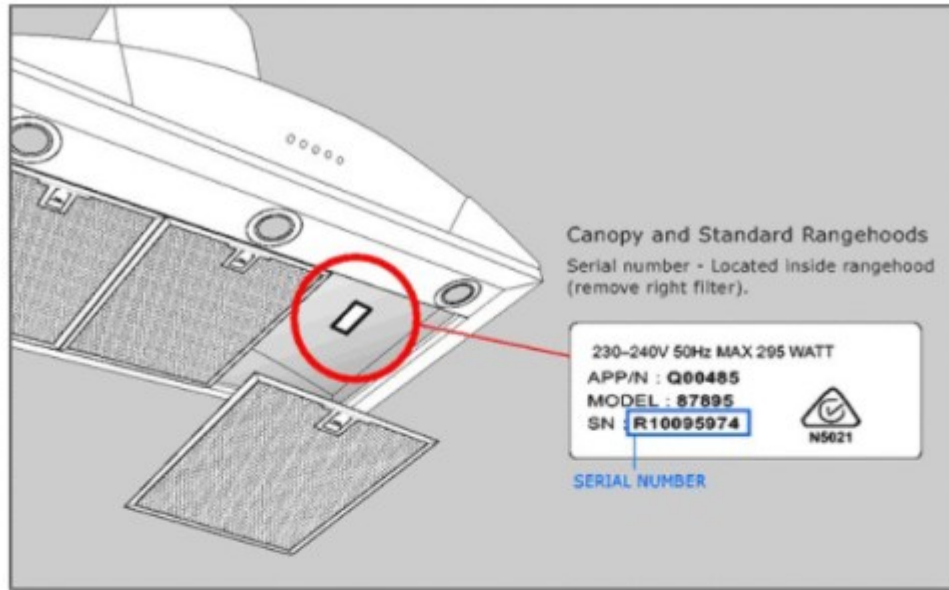


Located on the bottom right corner of landing ledge (behind drip tray handle).



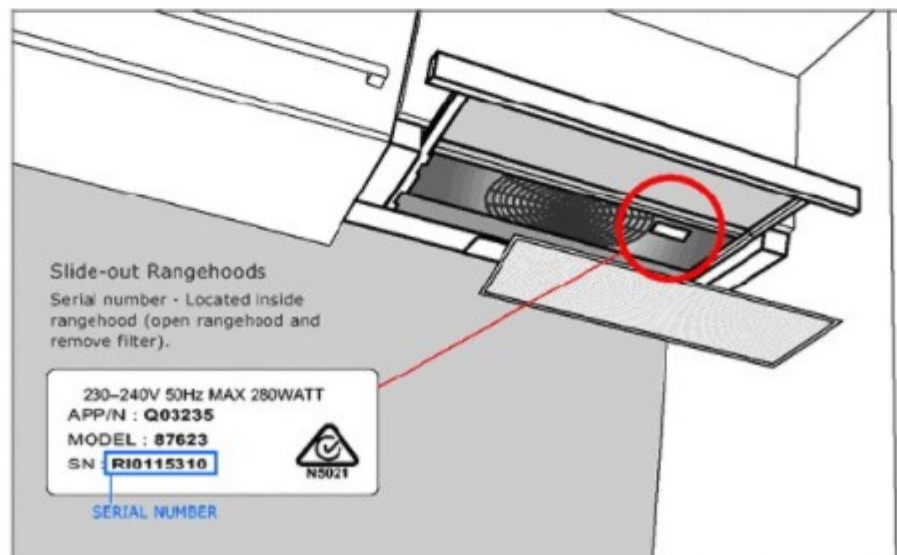
# 4. Rangehood:

## Canopy/Standard Rangehood



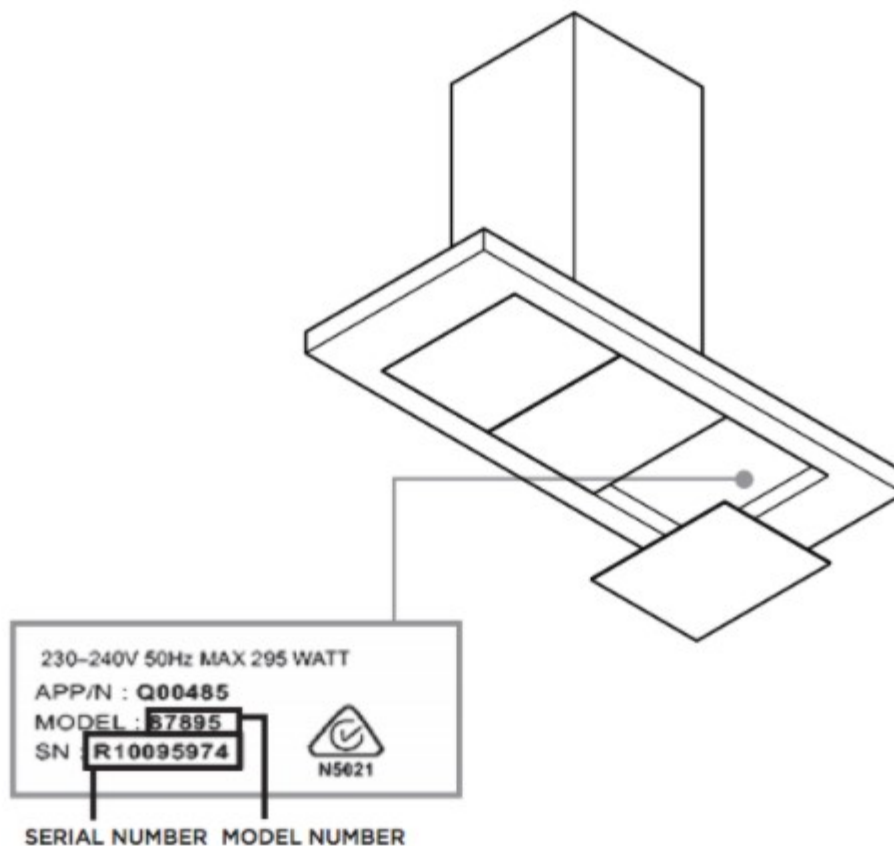
Located underneath the filter on the right hand side.

## Slideout Rangehood



Located underneath the filter, on the right hand side of the fan.

## Other Rangehoods

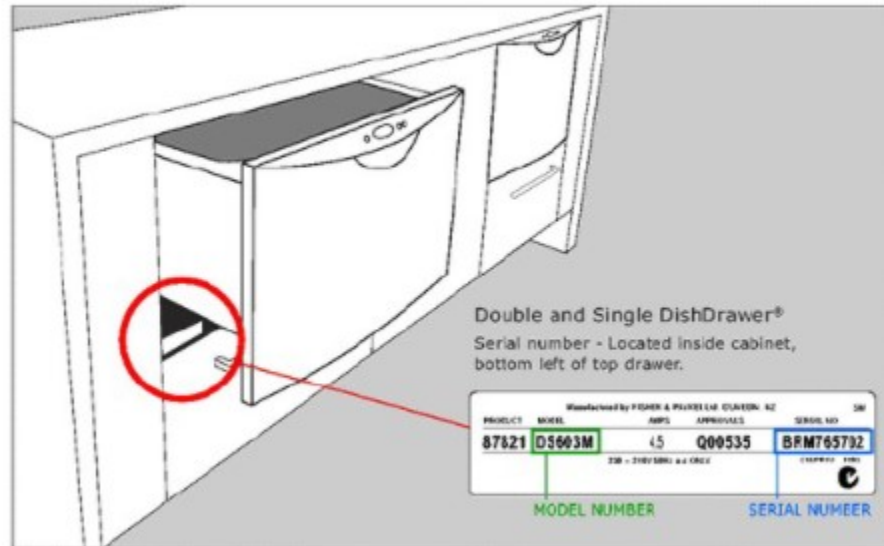


Serial label located inside product. Remove Right Filter to access.

**Slide-out models:** Serial label located inside product. Open Rangehood and remove filter.

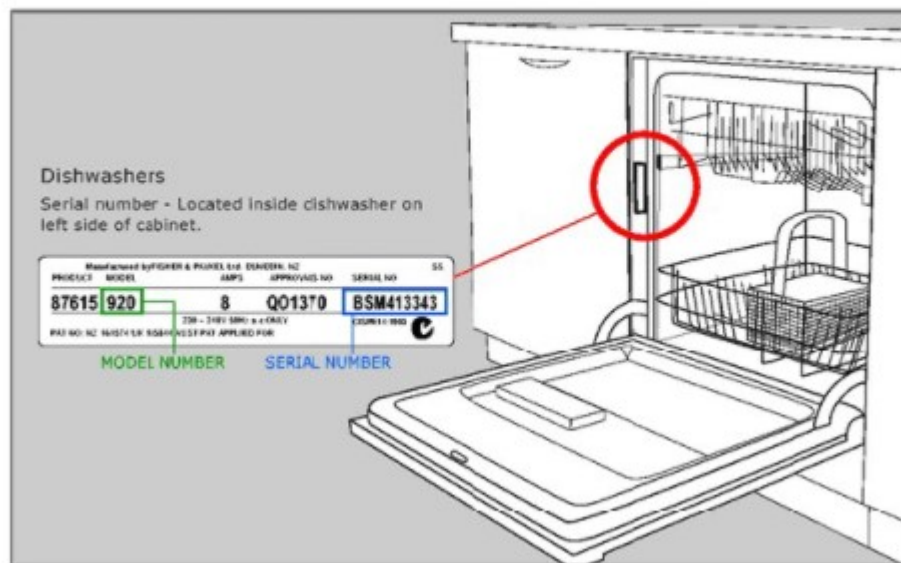
## 5. Dishwasher:

### DishDrawer



Located on the left hand side of the appliance, underneath the top drawer and hidden when closed.

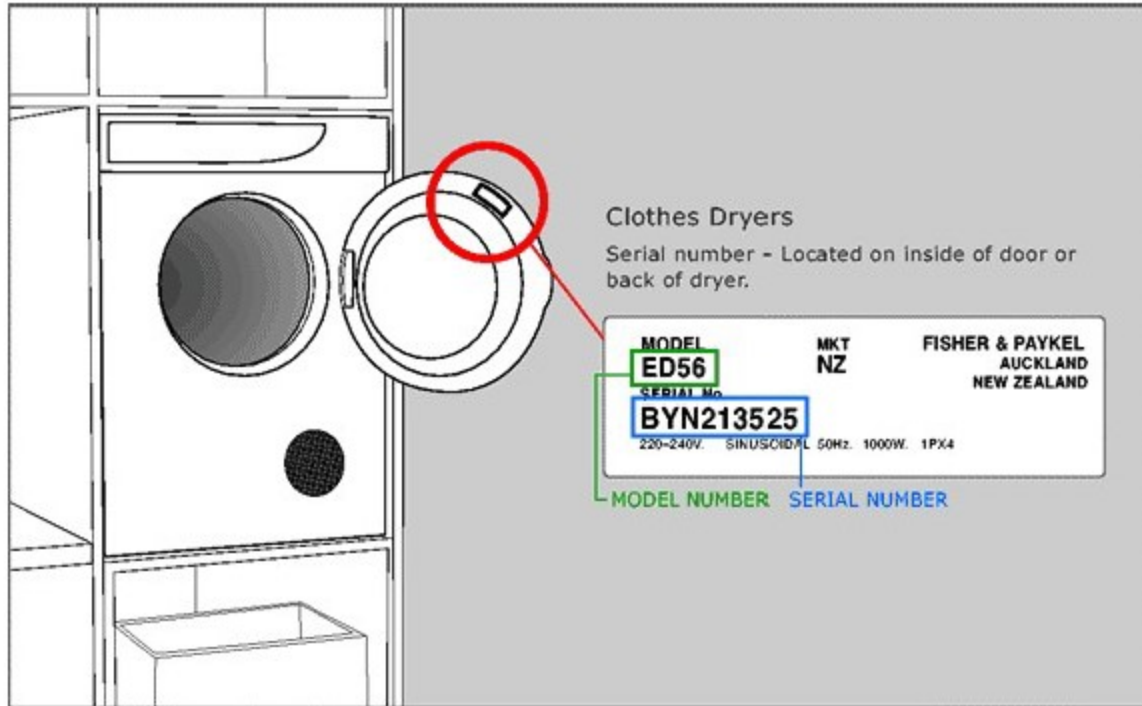
### Dishwasher



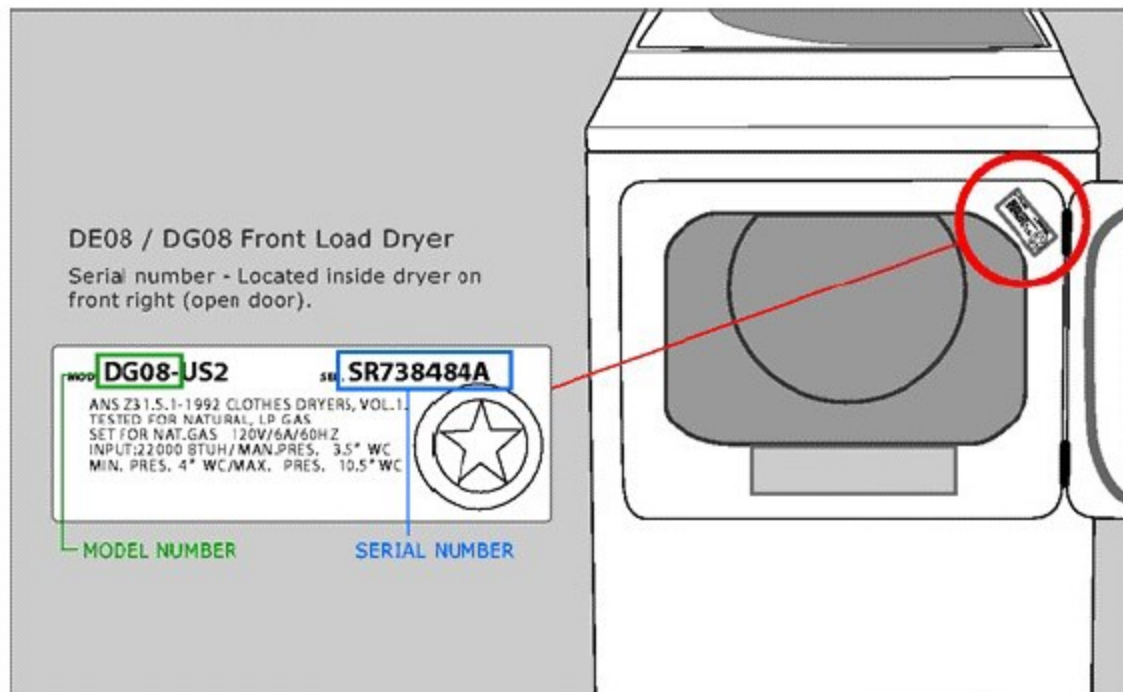
Located on the right or left hand side of the door cavity.

# 6. Washer/Dryer:

## Front Loading Dryer

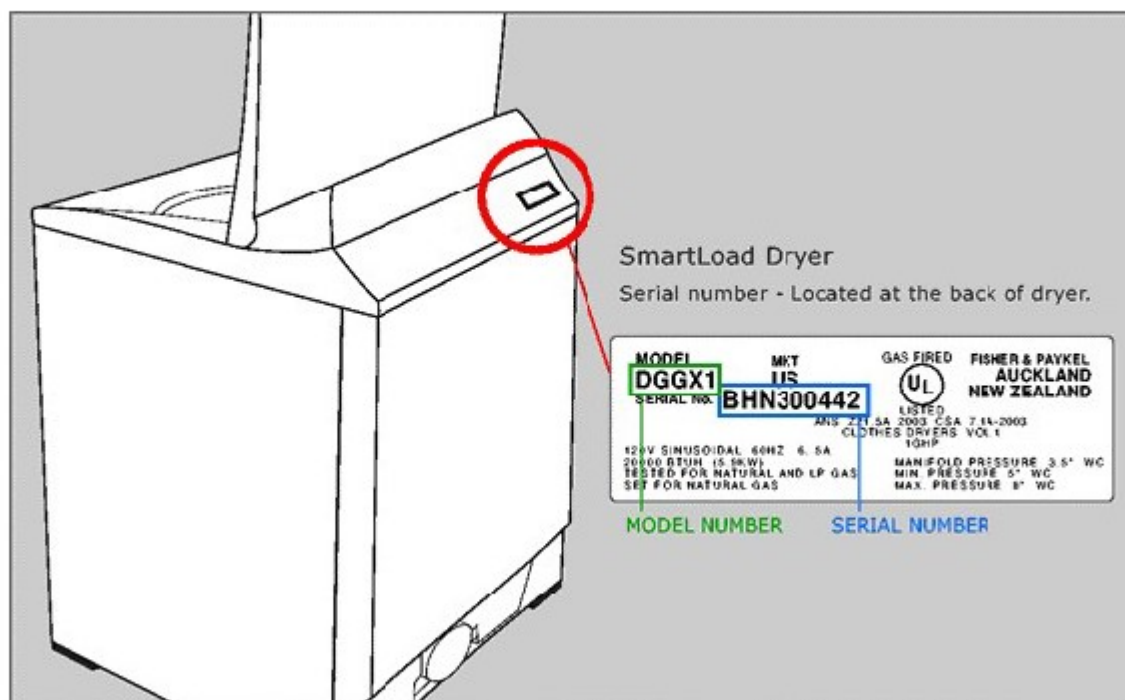


Dryers manufactured prior to January 2001, located in the top middle of the back panel.



Dryers manufactured after January 2001, located on the inside of the door on the upper right hand side of the door cavity.

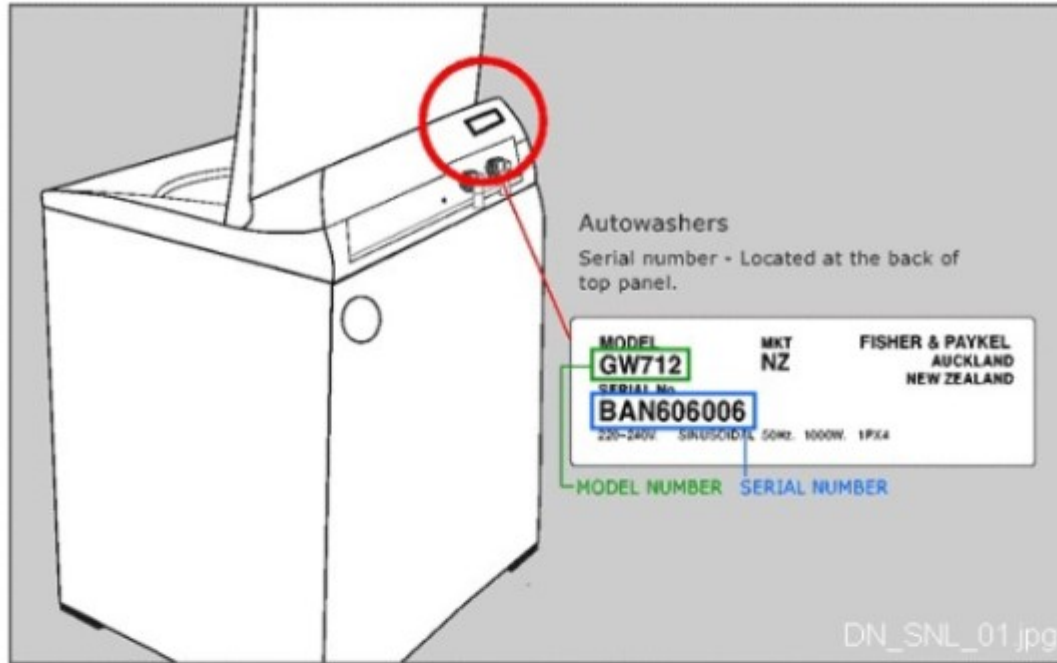
## Top Loading Dryer



Located on the back of the display board, on the left hand side as you face the appliance.

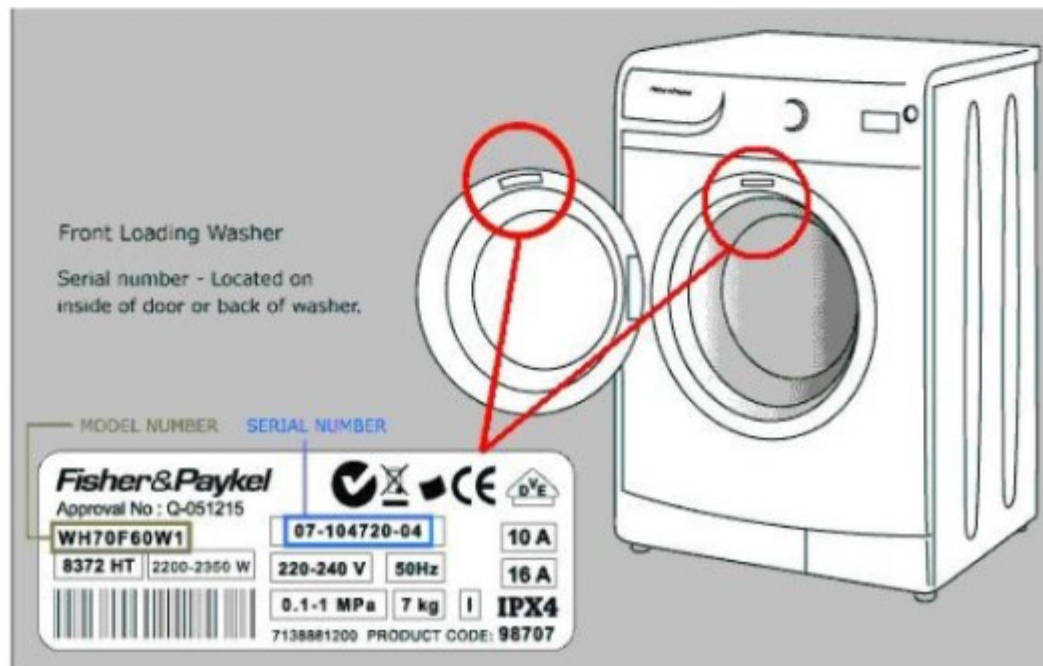


## Top Loading Washing Machine



Located behind the display board on the left hand side

## Front Loading Washing Machine



Located on the inside of the door, or above the door opening whilst door is open